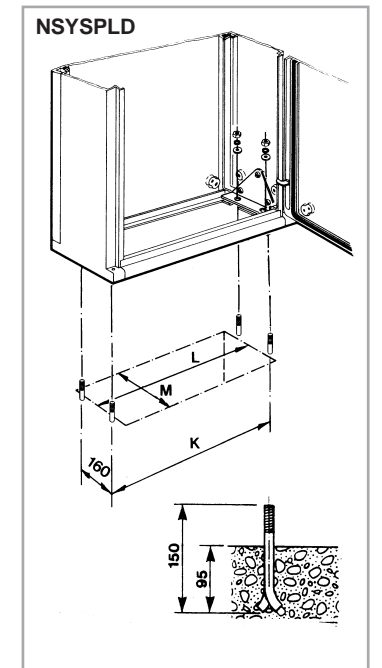
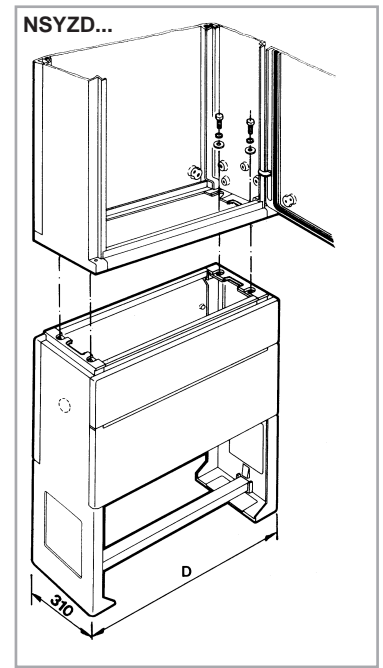
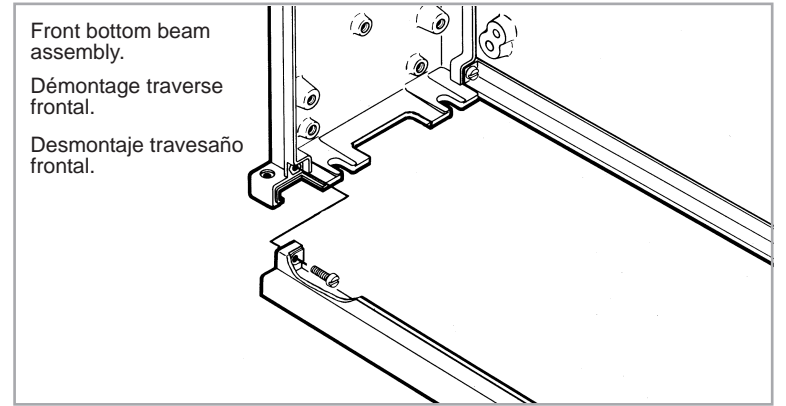


- ① For fixing of busbars.  
Pour la fixation des jeux de barres.  
Para la fijación de embarrados.
- ② For fixing of various equipment.  
Pour la fixation d'équipements divers.  
Para fijación de material diverso.
- ③ For fixing of various equipment.  
(M8 inserts **NSYTEPLDM8** not included).  
Pour la fixation d'équipements divers.  
(insertes M8 **NSYTEPLDM8** non inclus).  
Para fijación de material diverso.  
(insertos M8 **NSYTEPLDM8** no incluidos).
- ④ For fixing of **NSYSPLD** support.  
(M8 inserts **NSYTEPLDM8** not included).  
Pour la fixation des supports **NSYSPLD**  
(insertes M8 non inclus).  
Para fijación soporte **NSYSPLD**  
(insertos M8 **NSYTEPLDM8** no incluidos).



Enclosure  
Armoire  
Armario

Plinth  
Socle  
Zócalo

Direct ground fixing  
Fixation directe au sol  
Fijación directa a suelo

|                    | A   | B    | C   | F   | G     | H   |        | D                |      | K              | L max. | M max. |     |
|--------------------|-----|------|-----|-----|-------|-----|--------|------------------|------|----------------|--------|--------|-----|
| <b>NSYPLD8500</b>  | 850 | 465  | 320 | 325 | -     | 330 | DIN 00 | <b>NSYZD5300</b> | 465  | <b>NSYSPLD</b> | 360    | 320    | 224 |
| <b>NSYPLD860</b>   | 850 | 590  | 320 | 450 | -     | 455 | DIN 0  | <b>NSYZD630</b>  | 590  | <b>NSYSPLD</b> | 495    | 455    | 224 |
| <b>NSYPLD881</b>   | 850 | 785  | 320 | 645 | -     | 650 | DIN 1  | <b>NSYZD831</b>  | 785  | <b>NSYSPLD</b> | 690    | 650    | 224 |
| <b>NSYPLD8122</b>  | 850 | 1115 | 320 | 645 | 417,5 | 650 | DIN 2  | <b>NSYZD1232</b> | 1115 | <b>NSYSPLD</b> | 1020   | 980    | 224 |
| <b>NSYPLD8122C</b> | 850 | 1115 | 320 | -   | 417,5 | -   | DIN 2  | <b>NSYZD1232</b> | 1115 | <b>NSYSPLD</b> | 1020   | 980    | 224 |

